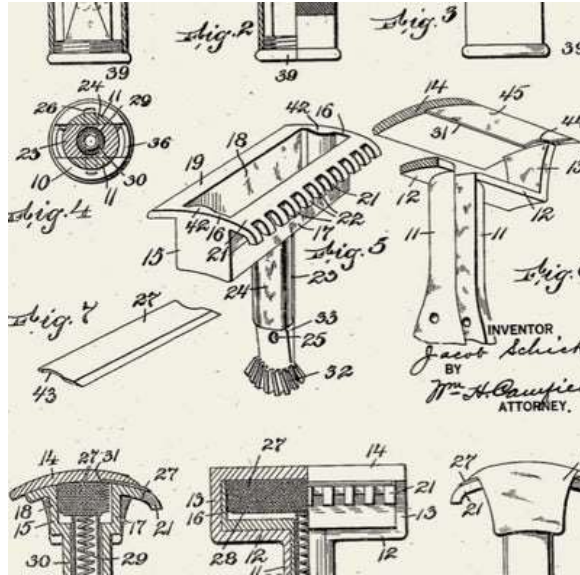


SCHICK INFO

Jacob Schick (September 16, 1877 – July 3, 1937) was an American military officer, inventor, and entrepreneur who patented an early electric razor and started the Schick Dry Shaver, Inc. razor company.^{[1][2]} He is the father of electric razors.

Even though the production of electric razors has been a priority for a long time, Schick has also been producing classic razor blades for years.

SCHICK INFO



SCHICK INFO

SCHICK was produced in many countries: Canada, Sweden, Holland, USA and Brasil. After purchase by Energizer is or was produced also in Brasil, Germany, Venezuela & China.

Reproduced are only wrappers from other countries with the same graphic as Swedish.

SCHICK



001 (S026)

S70 043-04/A
MADE IN SWEDEN

BLADE: SILVER

SCHICK



002 (S027)

S70 043-04/A
MADE IN SWEDEN

BLADE: GREY

SCHICK



003 (S028)

S70 043-04/A
MADE IN SWEDEN

BLADE: DARK GREY

SCHICK



004

S70 043-04/A
MADE IN SWEDEN

BLADE: WHITE

SCHICK



005

041-00-01

FROM FREE SAMPLE BOX

SCHICK



HOLLAND

MADE IN HOLLAND

041-00-01

SCHICK



HOLLAND

MADE IN HOLLAND

041-00-01

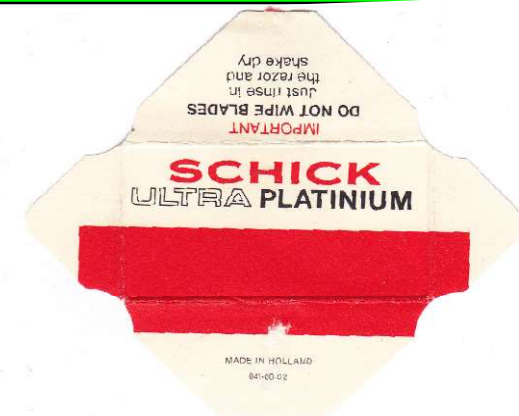
SCHICK



006 (S029)

S73 043-04/A
MADE IN SWEDEN

SCHICK



HOLLAND

MADE IN HOLLAND

041-00-02

SCHICK



007 (S030)

3043 S
REG. U. S. PAT. OFF.
Made in Sweden

SCHICK



008 (S031)

EN 3043 S 10.000M 703
REG. U. S. PAT. OFF.
Made in Sweden

SCHICK



009 (S032)

EN 3043 S 10.000M 612
REG. U. S. PAT. OFF.
Made in Sweden

SCHICK



010 (S033)

S67 013-08/0
REG. U. S. PAT. OFF.
Made in Sweden

S67 013-08/0

SCHICK



011 (S034)

S68 013-08/0
REG. U. S. PAT. OFF.
Made in Sweden

S68 013-08/0

SCHICK



HOLLAND

6231
REG. U. S. PAT. OFF.

SCHICK



HOLLAND

6231
MADE IN HOLLAND

SCHICK



CANADA

T64-738
Made in Canada

SCHICK



012 (S035)

M-63-101 S
Reg. U.S. Pat. Off.
Made and printed in Sweden

M-63-101 S



SCHICK



013 (S036)

M-63-101 S
Reg. U.S. Pat. Off.
Made and printed in Sweden

M-63-101 S



SCHICK



014 (S037)

M 63-248 S
Reg. U.S. Pat. Off.
Made and printed in Sweden

Made in Sweden



SCHICK



015 (S038)

M 63-248 S
Reg. U. S. pat. Off.

MADE IN SWEDEN



SCHICK



016 (S039)



SCHICK



017 (S040)



SCHICK



018 (S041)



SCHICK



USA

Made and printed in U.S.A.

STAINLESS KRONA

SCHICK



USA

Made and printed in U.S.A.

KRONA PLUS

SCHICK



CANADA



SCHICK



CANADA

Made in Canada

M-62-101C
Reg. U.S. Pat. Off.
Made in Canada

SCHICK



019 (S042)

Made in Sweden

H 64-306 S

H 64-306 S
Reg. U.S. Pat. Off.

SCHICK



020

Made in Sweden

015-84/1

استيراد مصلحة المبيعات الحكومية

SCHICK



021 (S043)

Made in Sweden

EN 66-248 H

SCHICK



USA

EN 66-248 H
Reg. U.S. Pat. Off.

SCHICK

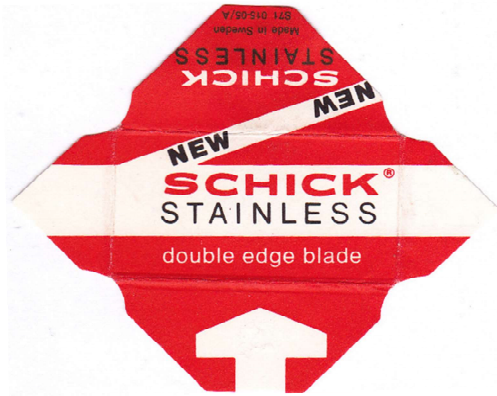


022 (S044)

S73 015-05/A

Made in Sweden

SCHICK



023

S71 015-05/A

Made in Sweden

SCHICK



HOLLAND

Made in Holland

SCHICK



024 (S045)

Made and Printed in Sweden

M-61-113-S

SCHICK



025 (S046)

Made and printed in Sweden

M-62-206 S

SCHICK



USA

Made and printed in U.S.A.

1-97
Reg. Pat. Off.
Made and printed in U.S.A.

SCHICK



026 (S047)

Made in Sweden
S 013-03-74/A

WITHOUT BORDER

SCHICK



027 (S048)

Made in Sweden
S 013-03-74/A

WITH BORDER

SCHICK



028

Made in Sweden
S 043-03-74/A

WITHOUT BORDER

SCHICK



029

Made in Sweden
S 043-03-74/A

WITH BORDER

SCHICK



HOLLAND

Made in Holland

SCHICK



HOLLAND

Made in Holland

SCHICK



030 (S050)

DOUBLE EDGE BLADE

Marcas Registradas
65-380 S

FABRICADA EN SUICIA

SCHICK



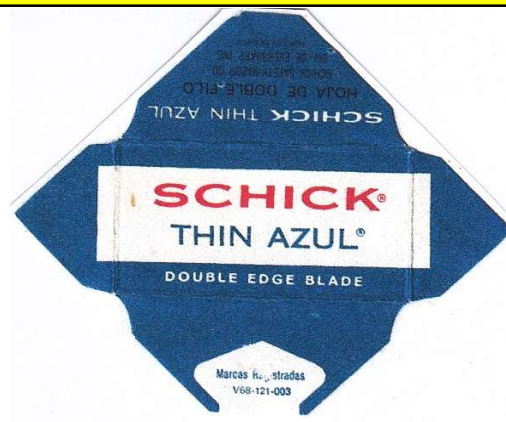
031

Reg. U.S. Pat. Off.
Marcas Registradas
65-350 S

DOUBLE EDGE BLADE

MADE IN SWEDEN

SCHICK



032 (S051)

Marcas Registradas
V68-121-003

DOUBLE EDGE BLADE

FABRICADA EN SUECIA

SCHICK



033

HOJA DE DOBLE FILO

MADE IN SWEDEN

SCHICK



034

Marcas Registradas
65-380 S

HOJA DE DOBLE FILO

FABRICADA EN SUECIA

SCHICK



035

Marcas Registradas
S68 485/1

DOUBLE EDGE BLADE

FABRICADA EN SUECIA

SCHICK



036 (S052)

Made in Sweden